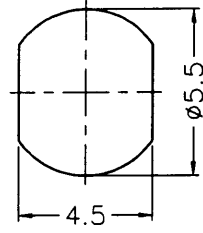


1 2 3 4 5 6 7 8

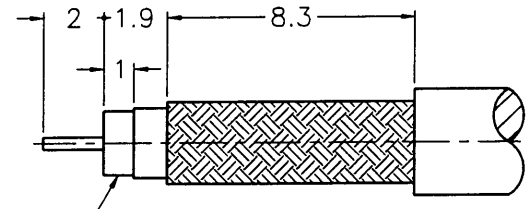
REVISIONS		
ISS	ZONE	DESCRIPTION\PER REQUEST\DATE



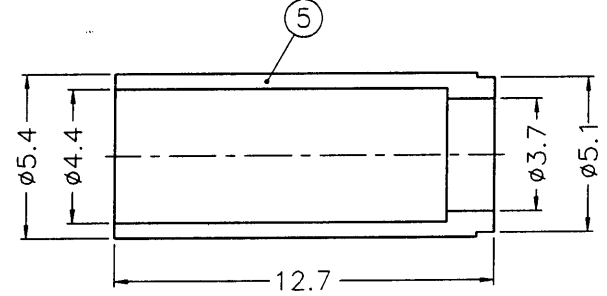
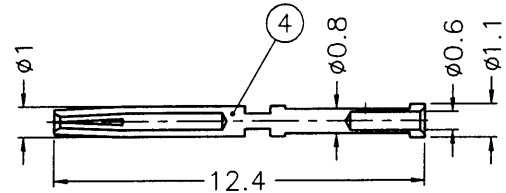
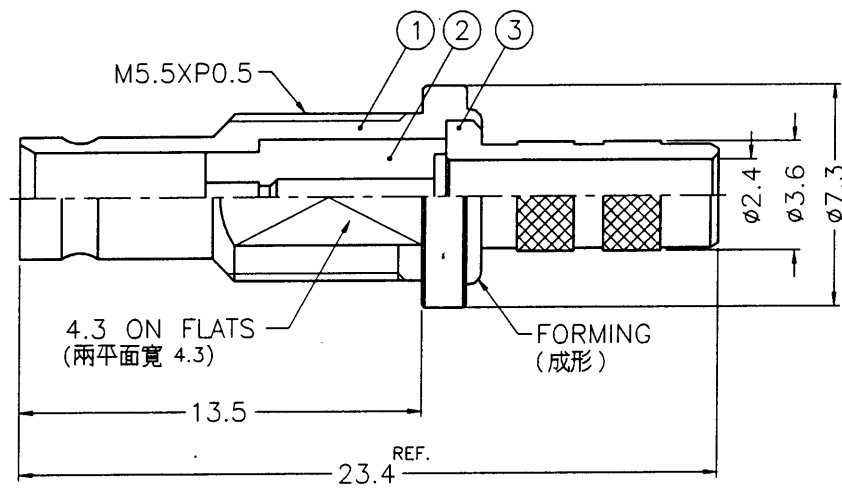
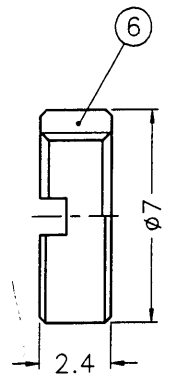
RECOMMENDED MOUNTING HOLE (建議架設孔)

業務部

REMOVE FOIL 1mm MIN. (去除箔襯1mm以上)



RECOMMENDED CABLE STRIPPING DIM'S (建議剝線尺寸)



- NOTES: FINISH (PLATING THICKNESS IN MICRO-INCHES)
- BRASS PER QQ-B-626
 - BERYLLIUM COPPER PER QQ-C-530
 - NICKEL PL. 100 MIN. THICK OVER COPPER STRIKE
 - GOLD PL. 3 MIN. THICK OVER NICKEL PL. 100 MIN. THICK OVER COPPER STRIKE
 - TEFLON MIL-P-19468
 - JIS H 3260, C 3501

出圖
2001. 6. 12
設計部

- CRIMPED FERRULE
HEX CRIMP SIZE .178"
- CONTACT PIN TO SOLDER
- MAX. PANEL THICKNESS=3mm

NO.	DESCRIPTION	MATERIAL	FINISH	Q'TY	DRAWING NO.
6	NUT			1	123-JACK-SN
5	FERRULE			1	FR-54/44-51/37 X127
4	CONTACT PIN			1	1236421A1-4-11 /06-75
3	BARREL			1	SMB6121A1-4-36/24
2	INSULATOR		NATURAL	1	1236421A5-2T-75
1	BODY			1	1236421A5-1-75

DIMENSIONS ARE IN MILLIMETERS
UNLESS OTHERWISE SPECIFIED TOLERANCES
0.5-6 = ±0.2
6-30 = ±0.4
30-120 = ±0.6
120-315 = ±1
315-1000 = ±1.6
1000-2000 = ±2.4

PART NO.	
APPROVED	DATE 06-05-01'
CHECKED	DATE 06-05-01'
DRAWN	DATE 06-05-01'

Amphenol - Kai Jack	
TAINAN TAIWAN	
TITLE	1.0/2.3 CRIMP JACK (FOR 735A CABLE-AC&E)
DRAWING NO.	KJ-1236421A5-N/3GT3G-735A-75
FILE NO.	F:\DWG\123\6421A5\735A-75\N3GT3G

1 2 3 4 5 6 7 8 RD8DR12329